

**TRACK CONDITIONS**

Indoor     Tight     Smooth     Hard Packed     Blue Groove

Wet     Low Bite     High Bite     Outdoor     Open     Rough     Loose/Loamy

Dry     Dusty     Med Bite     Other \_\_\_\_\_

**ELECTRONICS**

Motor \_\_\_\_\_

ESC \_\_\_\_\_

Pinion \_\_\_\_\_

Battery \_\_\_\_\_

**DIFF**

Front

Oil # \_\_\_\_\_

Center

Oil # \_\_\_\_\_

Rear

Oil # \_\_\_\_\_

T

x

T

Spur gear

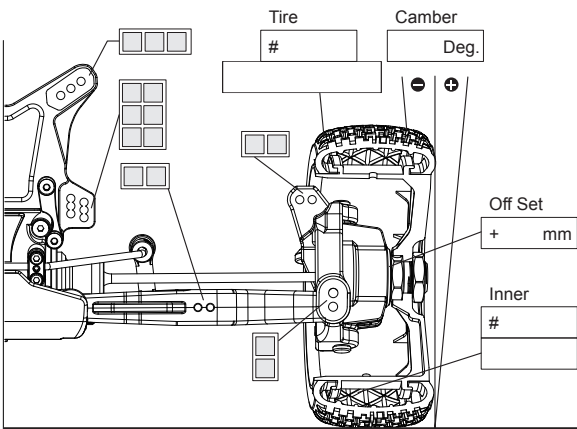
T

T

x

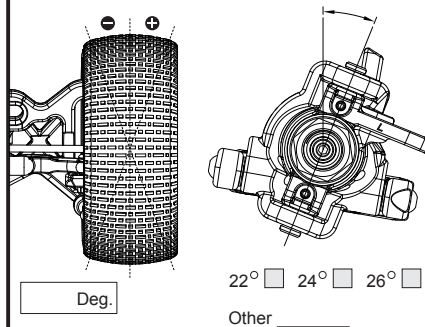
T

**Front Suspension**



**Front Toe angle**

**Caster Angle**



**Anti-roll bar**

- #8019 angle type 1.9mm \_\_\_\_\_
- #8021 angle type 2.1mm \_\_\_\_\_
- #8022 angle type 2.2mm \_\_\_\_\_
- #8023 angle type 2.3mm \_\_\_\_\_
- #8024 angle type 2.4mm \_\_\_\_\_
- #8025 angle type 2.5mm \_\_\_\_\_
- others \_\_\_\_\_

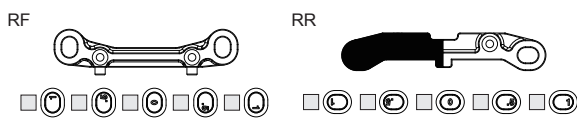
**FRONT**

**Kick Up**

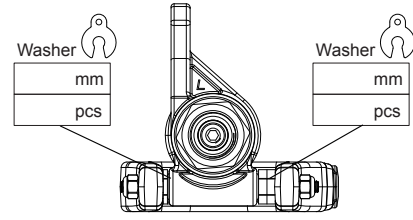


**Anti Squat**

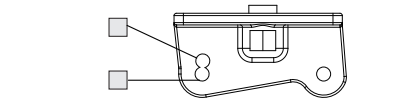
**Toe Angle**



**Wheel base**



**Wing position**

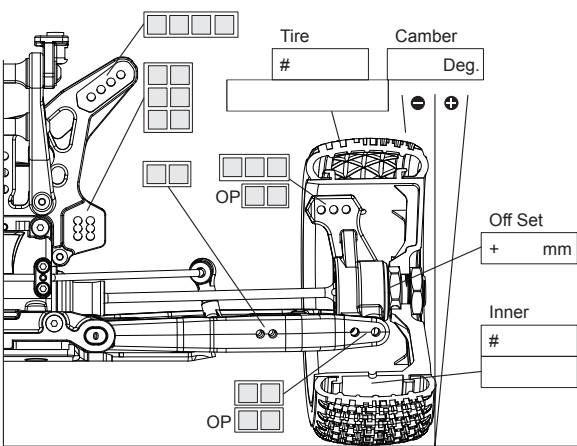


**Anti-roll bar**

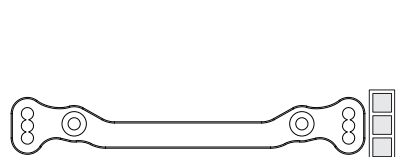
- #8322 angle type 2.2mm \_\_\_\_\_
- #8323 angle type 2.3mm \_\_\_\_\_
- #8324 angle type 2.4mm \_\_\_\_\_
- #8325 angle type 2.5mm \_\_\_\_\_
- #8326 wave type 2.6mm \_\_\_\_\_
- #8328 wave type 2.8mm \_\_\_\_\_
- #8330 wave type 3.0mm \_\_\_\_\_
- others \_\_\_\_\_

**REAR**

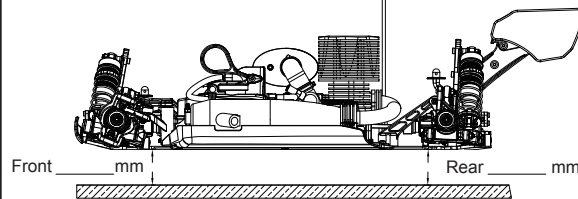
**Rear Suspension**



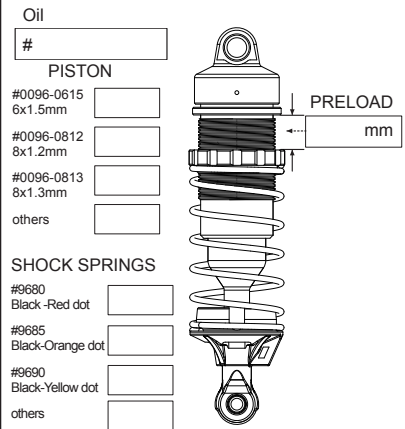
**Acker man**



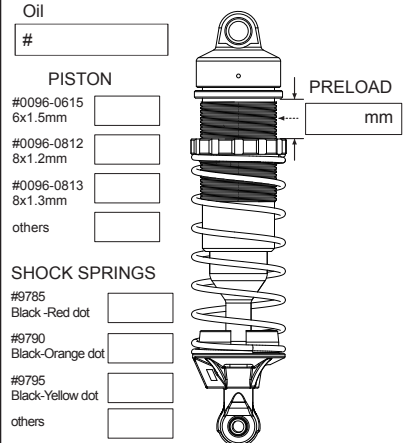
**RIDE HEIGHT**



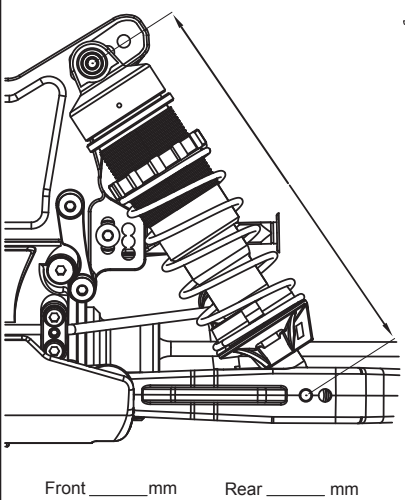
**Front Shock**



**Rear Shock**



**SHOCK LENGTH**



25  
24  
23  
22  
21  
20  
19  
18  
17  
16  
15  
14  
13  
12  
11  
10  
9  
8  
7  
6  
5  
4  
3  
2  
1  
0