

TRACK CONDITIONS

Indoor Tight Smooth Hard Packed Blue Groove

Wet Low Bite High Bite Outdoor Open Rough Loose/Loamy

Dry Dusty Wed Bite Other

ENGINE

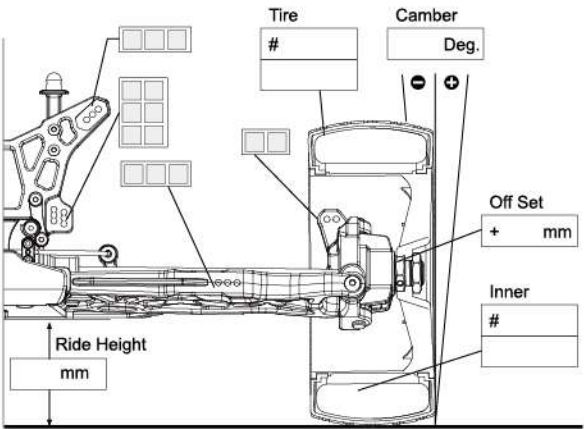
Gasket mm Plug Muffler Fuel

Clutch bell 13T 14T 15T Other T Shoes 3 4 Spring mm

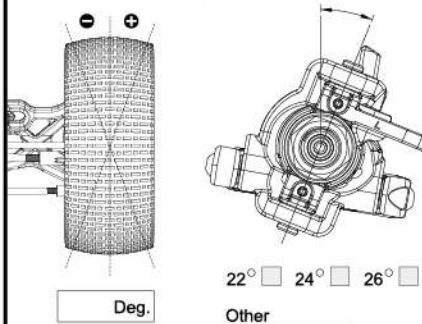
DIFF Front Oil # Center Oil # Rear Oil #

T x T Spur gear T T x T

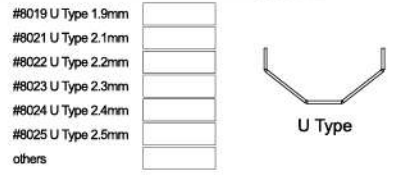
FRONT SUSPENSION



FRONT TOE ANGLE CASTER ANGLE



ANTI ROLL BAR



KICK UP

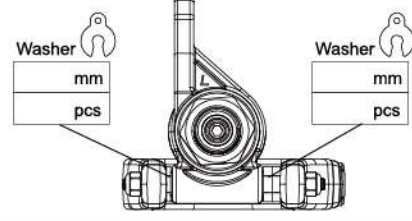


ANTI SQUAT

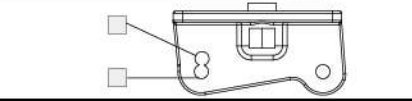
TOE ANGLE



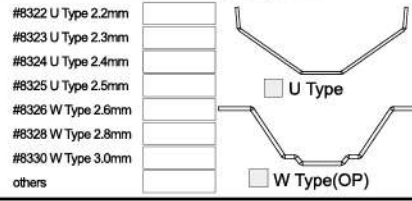
WHEEL BASE



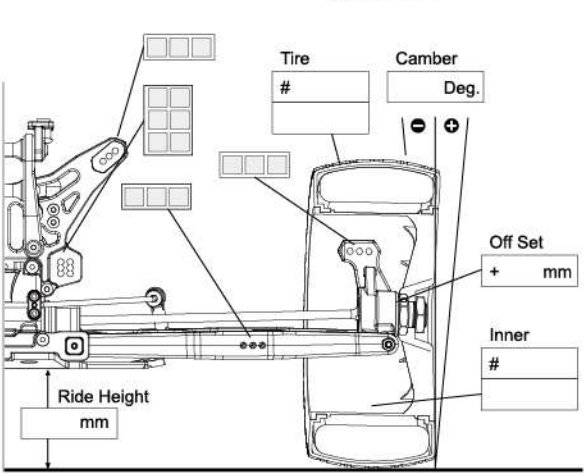
WING POSITION



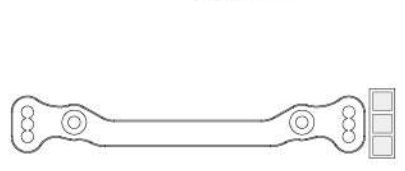
ANTI ROLL BAR



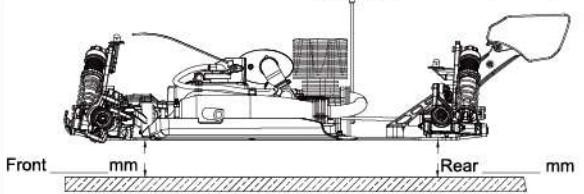
REAR SUSPENSION



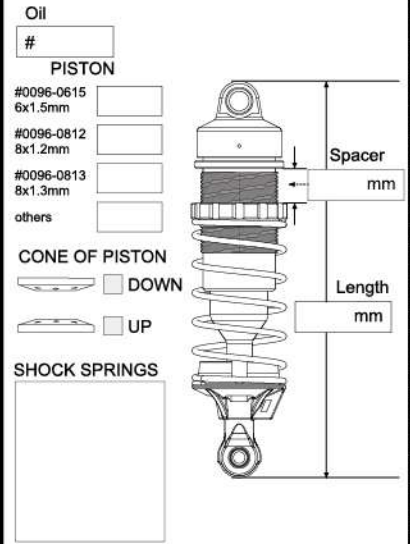
ACKERMAN



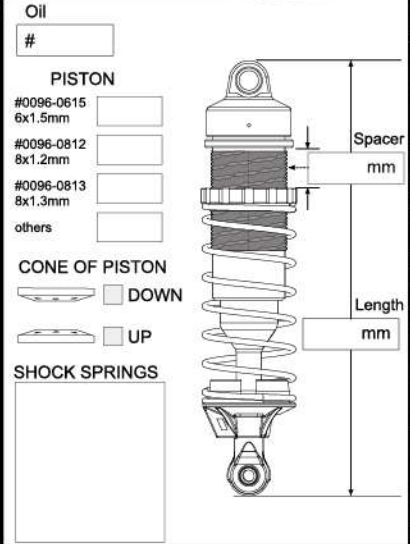
RIDE HEIGHT



FRONT SHOCK



REAR SHOCK



REBOUND

