

TRACK CONDITIONS

Indoor Tight Smooth Hard Packed Blue Groove

Wet Low Bite High Bite Outdoor Open Rough Loose/Loamy

Dry Dusty Med Bite Other _____

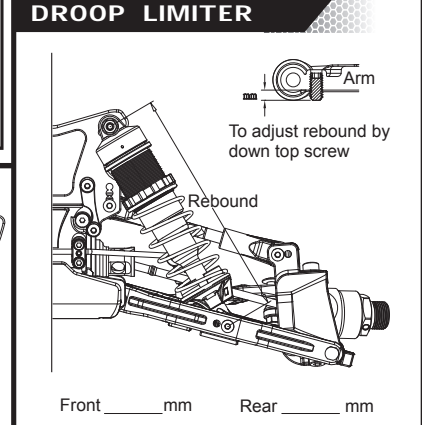
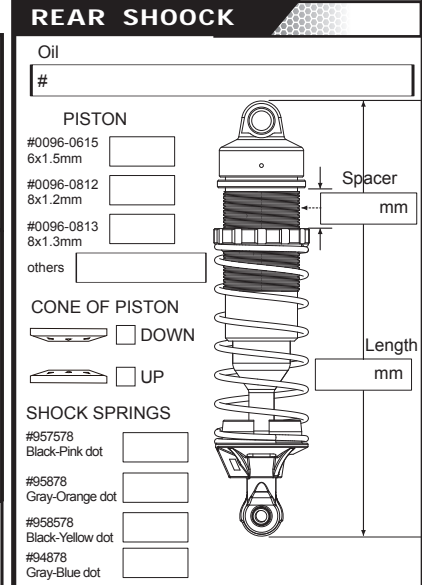
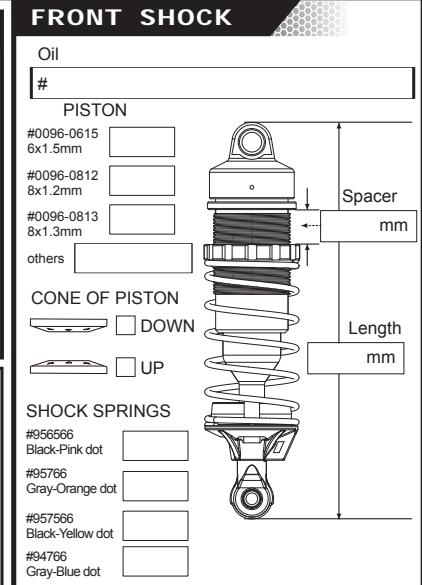
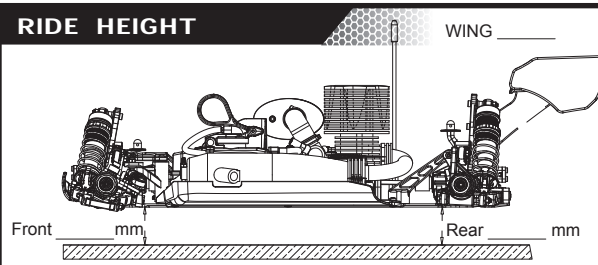
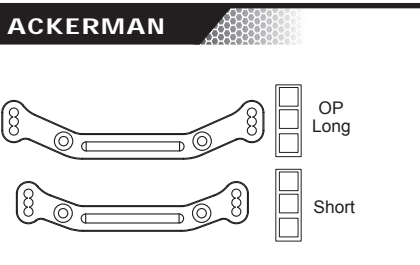
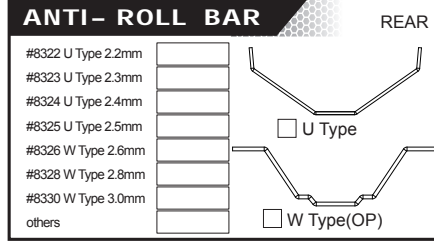
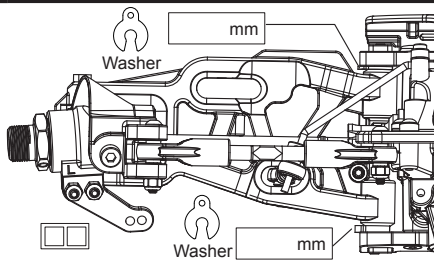
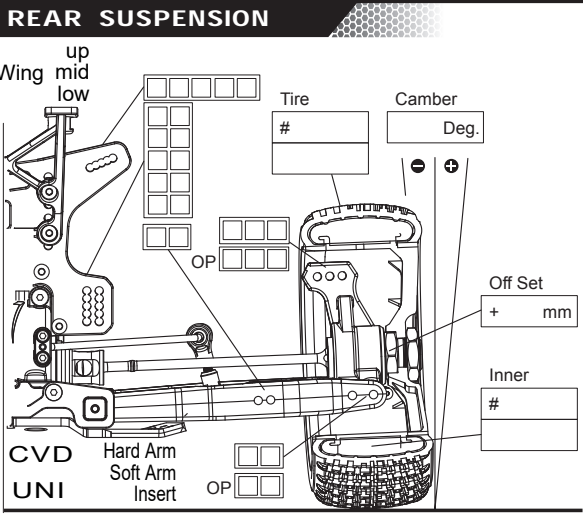
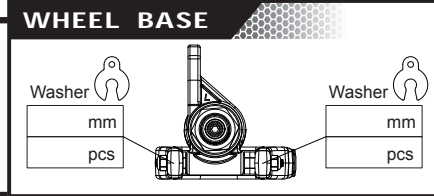
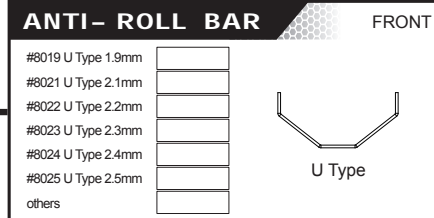
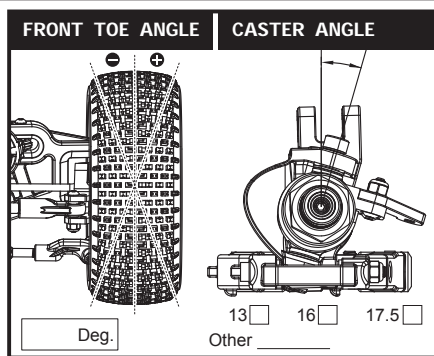
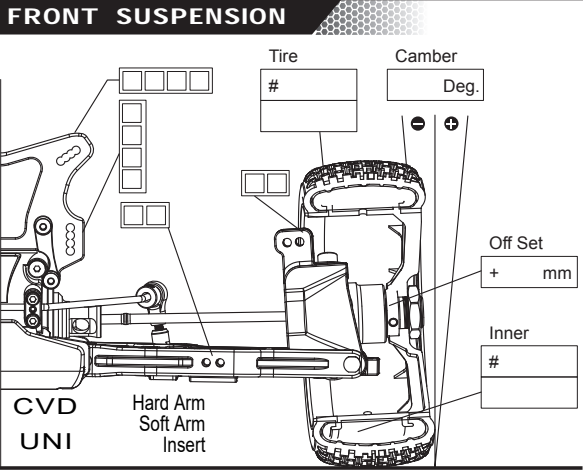
ENGINE

Gasket _____ mm Plug _____ Muffler _____ Fuel _____

Clutch bell 13T 14T Other _____ T Shoes 3 4 Spring _____ mm

DIFF Front _____ Center _____ Rear _____

T x T Spur gear T T x T



Notes: _____