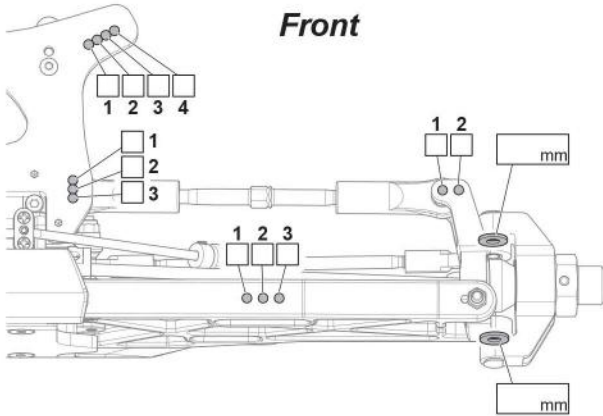
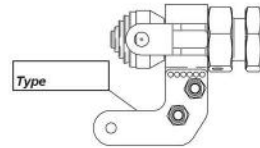


Driver _____ Date _____ Track _____ Event _____

Track Condition

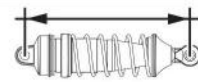


Front



Body Brand _____
Body Model _____

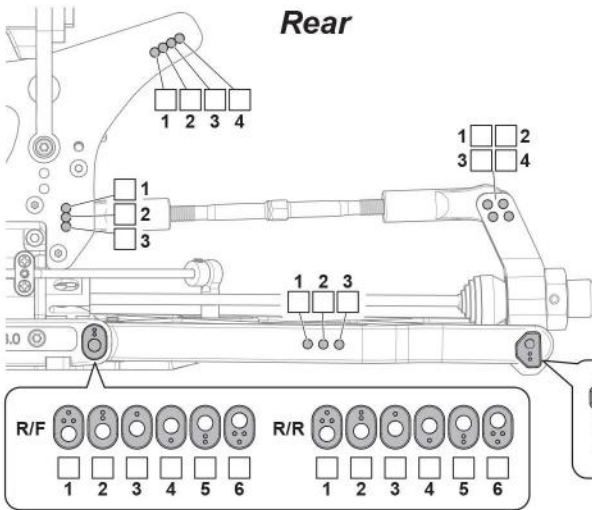
Ride Height _____ mm
Camber Angle _____ °
Toe Angle _____ °
Sway Bar _____ mm
Shock Length _____ mm



Front Shocks

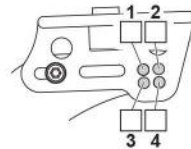
Oil weight _____ wt
Piston _____ mm
Bladder _____
Spring _____

Notes

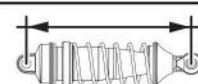


Rear

Wing Brand _____
Wing Model _____



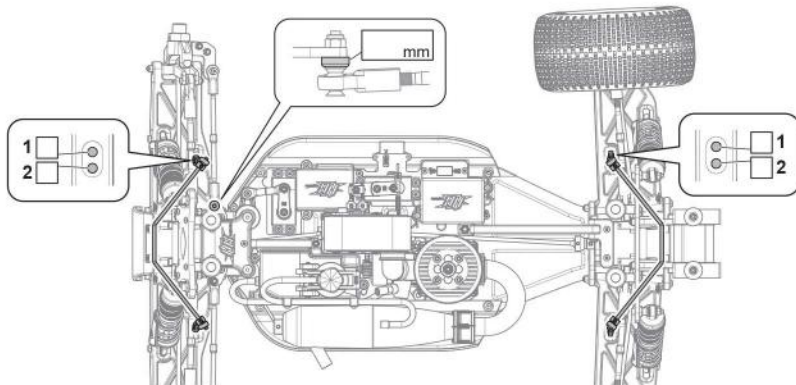
Ride Height _____ mm
Camber Angle _____ °
Sway Bar _____ mm
Shock Length _____ mm



Rear Shocks

Oil weight _____ wt
Piston _____ mm
Bladder _____
Spring _____

Notes



Notes

Engine
Brand _____
Spur gear _____ Clutch Bell _____
Clutch Shoes _____
Clutch Springs _____
Glow Plug _____
Glow Fuel _____

Tires	Front	Rear
Brand	_____	_____
Compound	_____	_____
Insert	_____	_____
Wheel	_____	_____
Notes	_____	_____

Diff Oils

	Front	Center	Rear
Brand	_____	_____	_____
Oil Weight / Grade	_____	_____	_____