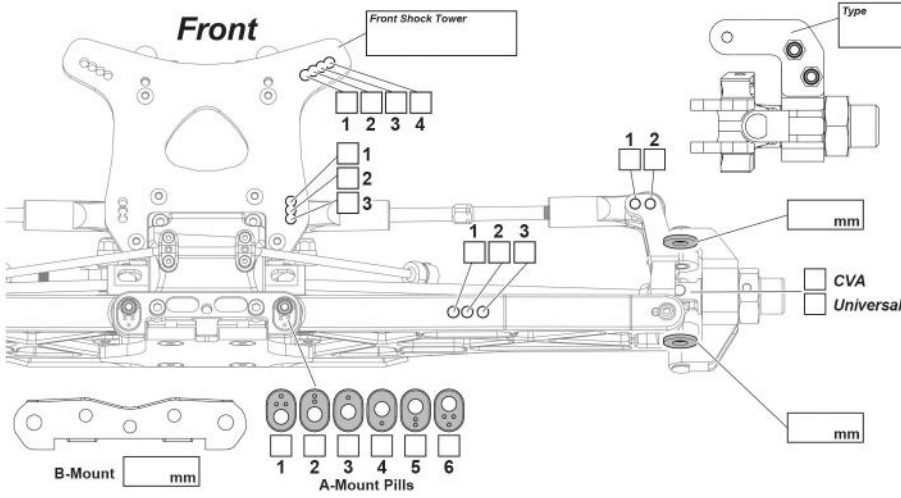


Driver _____ Date _____ Track _____ Event _____

Track Condition



Ride Height _____ mm

Camber Angle _____ °

Toe Angle _____ °

Sway Bar _____ mm

Shock Length _____ mm

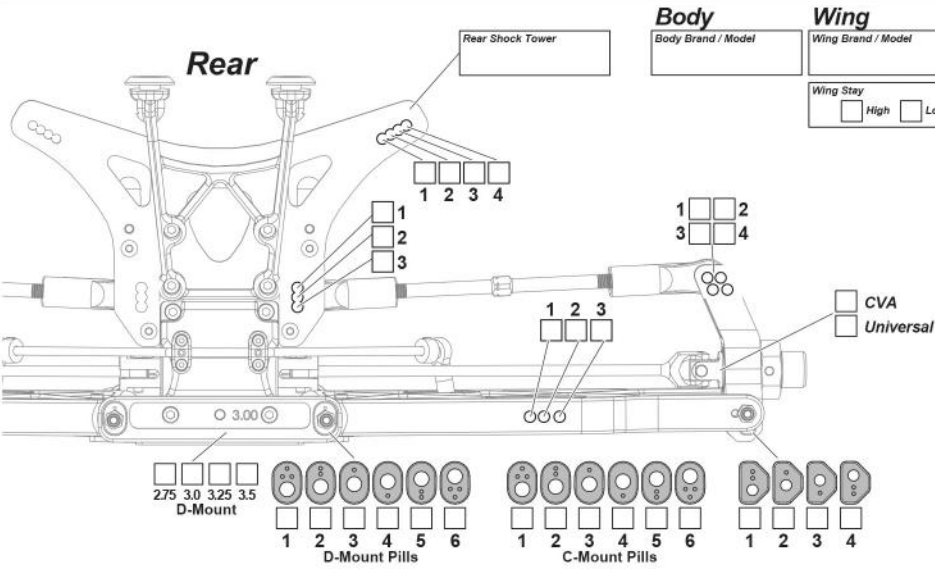
Front Shocks

Oil weight _____ wt

Piston _____ mm

Bladder _____

Spring _____



Ride Height _____ mm

Camber Angle _____ °

Sway Bar _____ mm

Shock Length _____ mm

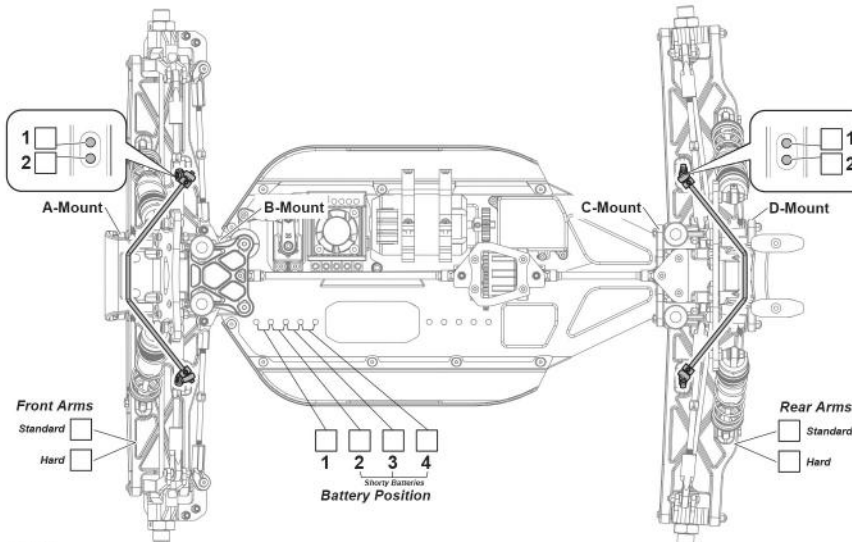
Rear Shocks

Oil weight _____ wt

Piston _____ mm

Bladder _____

Spring _____



Motor

Brand / Model _____

Spur gear _____ Pinion Gear _____

Battery

Brand / Model _____

ESC

Brand / Model _____

Tires

	Front	Rear
Brand	_____	_____
Compound	_____	_____
Insert	_____	_____
Wheel	_____	_____
Notes	_____	

Diff Oils

	Front	Center	Rear
Brand	_____	_____	_____
Oil	_____	_____	_____

notes