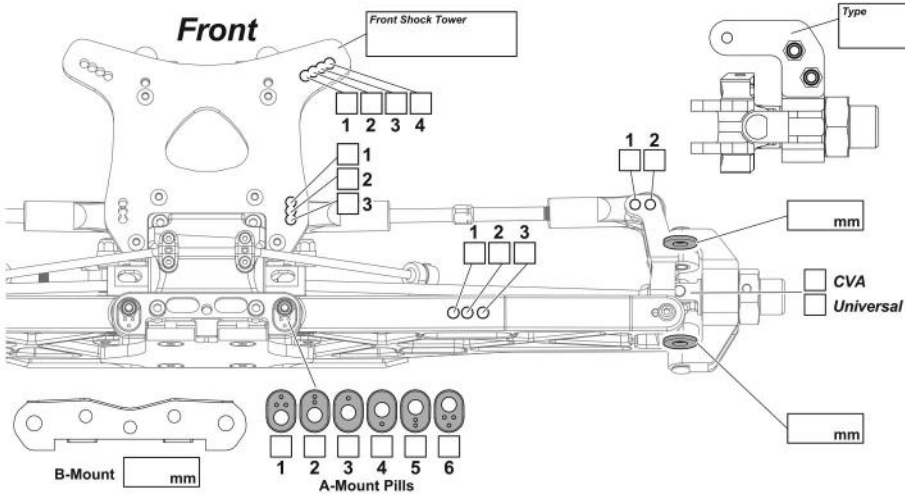


Driver \_\_\_\_\_ Date \_\_\_\_\_ Track \_\_\_\_\_ Event \_\_\_\_\_

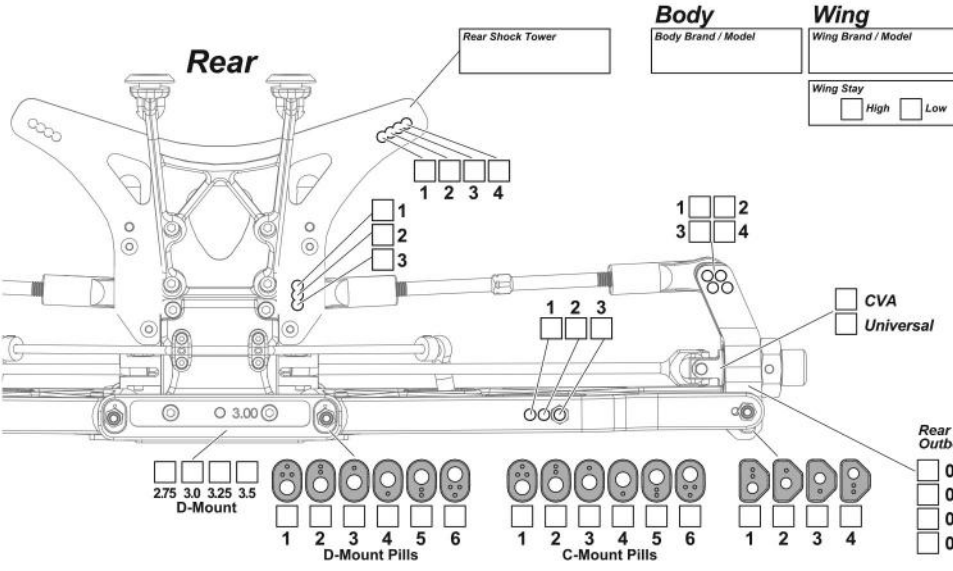
**Track Condition**



Ride Height \_\_\_\_\_ mm  
 Camber Angle \_\_\_\_\_ °  
 Toe Angle \_\_\_\_\_ °  
 Sway Bar \_\_\_\_\_ mm  
 Shock Length \_\_\_\_\_ mm

### Front Shocks

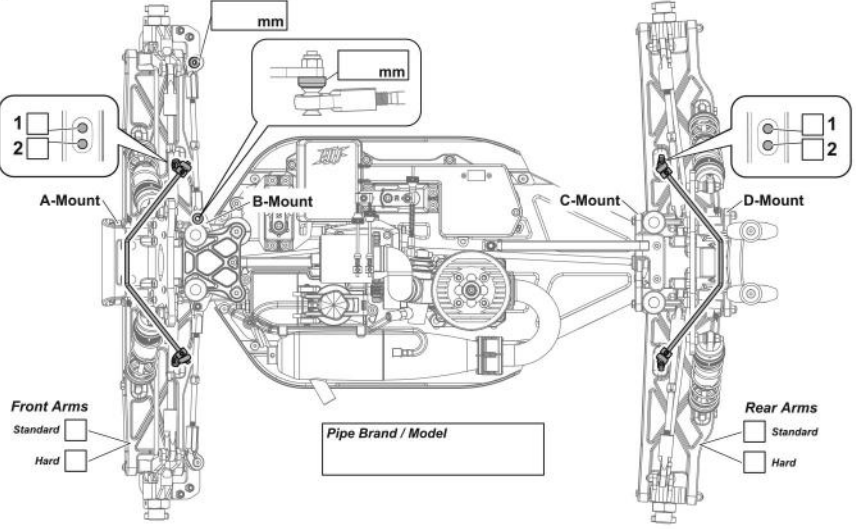
Oil weight \_\_\_\_\_ wt  
 Piston \_\_\_\_\_ mm  
 Bladder \_\_\_\_\_ mm  
 Spring \_\_\_\_\_



Ride Height \_\_\_\_\_ mm  
 Camber Angle \_\_\_\_\_ °  
 Sway Bar \_\_\_\_\_ mm  
 Shock Length \_\_\_\_\_ mm

### Rear Shocks

Oil weight \_\_\_\_\_ wt  
 Piston \_\_\_\_\_ mm  
 Bladder \_\_\_\_\_ mm  
 Spring \_\_\_\_\_



### Engine

Brand \_\_\_\_\_  
 Spur gear \_\_\_\_\_ Clutch Bell \_\_\_\_\_  
 Clutch Shoes \_\_\_\_\_  
 Clutch Springs \_\_\_\_\_  
 Glow Plug \_\_\_\_\_  
 Glow Fuel \_\_\_\_\_

Tires	Front	Rear
Brand	_____	_____
Compound	_____	_____
Insert	_____	_____
Wheel	_____	_____
Notes	_____	_____

Notes \_\_\_\_\_

### Diff Oils

	Front	Center	Rear
Brand	_____	_____	_____
Oil Weight / Grade	_____	_____	_____