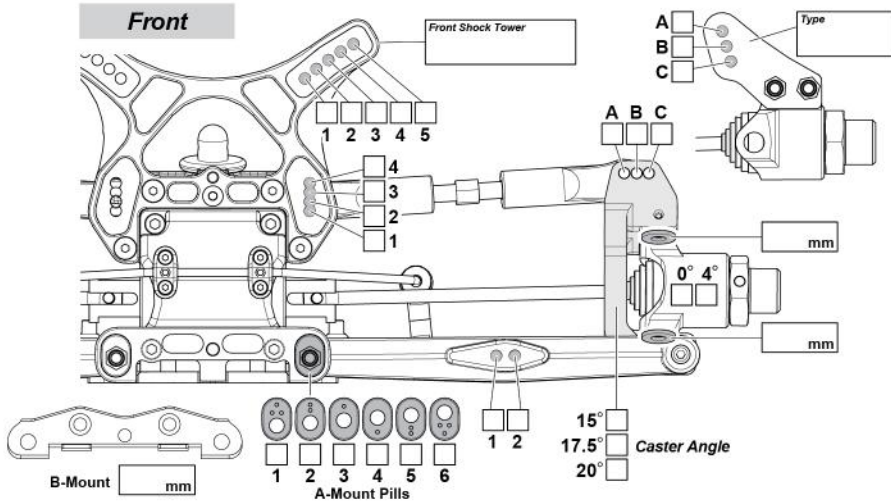


Driver _____ Date _____ Track _____ Event _____

Track Condition



Ride Height _____

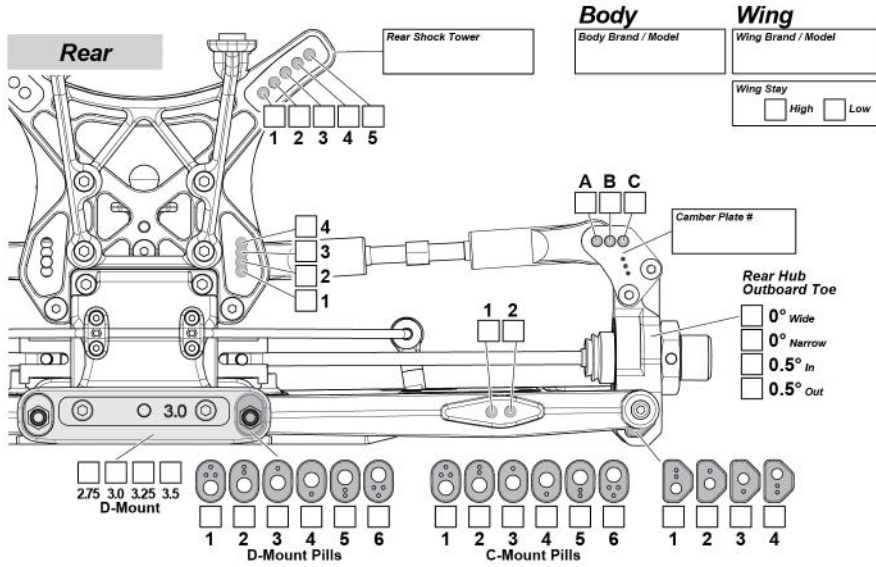
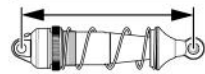
Camber Angle _____

Toe Angle _____

Sway Bar _____

Shock Length _____

Shocks	
Oil	_____
Piston	_____
Rebound	_____
Spring	_____
Notes	_____



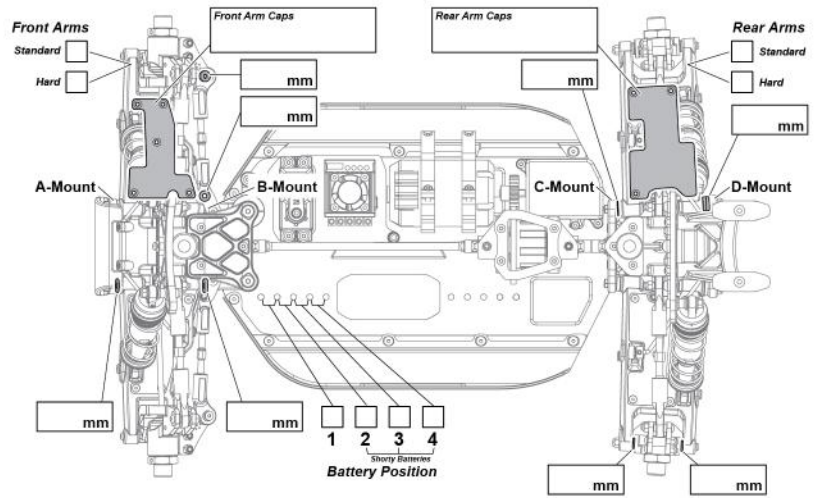
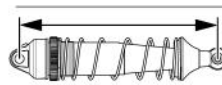
Ride Height _____

Camber Angle _____

Sway Bar _____

Shock Length _____

Shocks	
Oil	_____
Piston	_____
Rebound	_____
Spring	_____
Notes	_____



Motor

Brand / Model _____

Spur gear _____ Pinion Gear _____

Battery

Brand / Model _____

ESC

Brand / Model _____

Tires	Front	Rear
Brand	_____	_____
Compound	_____	_____
Insert	_____	_____
Wheel	_____	_____
Notes	_____	_____

Diff Oils	Front	Center	Rear
Brand	_____	_____	_____
Oil	_____	_____	_____

Notes _____