

Inferno III PIOT SET UP SHEET

ver.1.00



Name of Driver		Date		Track		Engine		Plug		Muffler	
				Condition:							
Spur Gear	Clutch Bell	Clutch Spring		Clutch Shoe	Tire	Tire Insert	Wheel	Body	Fuel		
T	<input type="checkbox"/> Std. <input type="checkbox"/> LW T	<input type="checkbox"/> 0.90 <input type="checkbox"/> 1.00 <input type="checkbox"/> 0.95 <input type="checkbox"/> 1.10	Carbon <input checked="" type="checkbox"/> Aluminum <input checked="" type="checkbox"/>	Tire : _____ Compounds: _____							

● Diff Gear Set-Up

	Front	Center	Rear
Diff. Fluid	<input type="checkbox"/> Std. <input type="checkbox"/> LSD	<input type="checkbox"/> Std. <input type="checkbox"/> LSD	<input type="checkbox"/> Std. <input type="checkbox"/> LSD

● Shock Set-Up

	Front	Rear
Shock Type	P : w/Diaphragm A : Aeration	Size - type
Shock Piston	B : Black W : White T : Taper	φ x
Shock Oil	#	#
Shock Spring		

● Ride Height

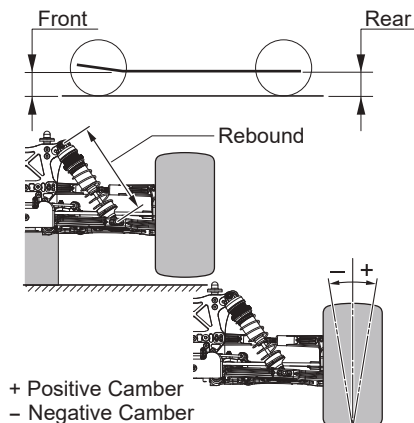
Front	Rear
mm	mm

● Rebound

Front	Rear
mm	mm

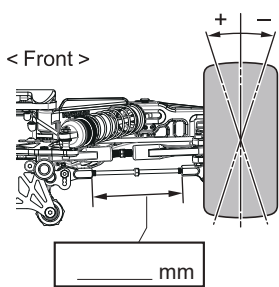
● Camber Angle

Front	Rear
+ °	+ °
- °	- °



● Toe Angle

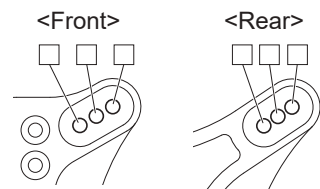
Front	Rear
+ °	<input type="checkbox"/> 2.5° <input type="checkbox"/> 3° <input type="checkbox"/> 3.5°
- °	



● Wheelbase

Collar of Rear Hub	Front Side _____ mm
	Rear Side _____ mm

● Shock Mount Position



Rear Upper Shock Bush

Std. Long

Sus. Arm

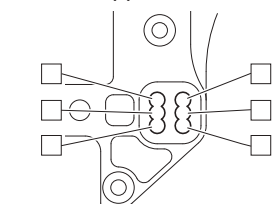
Front	<input type="checkbox"/> In <input type="checkbox"/> Mid. <input type="checkbox"/> Out
Rear	<input type="checkbox"/> In <input type="checkbox"/> Mid. <input type="checkbox"/> Out

Plastic
 Aluminum

Hub Carrier Bush

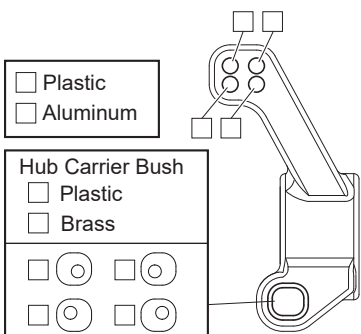
Plastic
 Brass

● Rear Upper Arm Position



● Rear Wheel Hub

Narrow Wide(Std.)



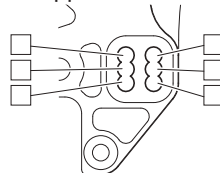
● Front Sus. Arm

Soft (Std.) Hard

● Front Sus. Bush

Rear Side

● Front Upper Arm Position

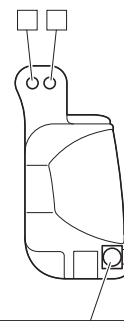


● Front Wheel Hub

Narrow Wide(Std.)

● Front Hub Carrier

Plastic Aluminum
 13° 16° 17.5° 19°



● Front Wheel Hub

Lower Bush Plastic Brass
 -1° 0° +1°

● Rear Sus. Bush

Front Side	<input type="checkbox"/> <input type="checkbox"/> <input type="checkbox"/> <input type="checkbox"/>
Rear Side	<input type="checkbox"/> (2.5) (2.5) <input type="checkbox"/> (3) (3) <input type="checkbox"/> (3.5) (3.5) <input type="checkbox"/> (2) (2) <input type="checkbox"/> (3) (3) <input type="checkbox"/> (3) (3)

● Rear Sus. Arm

Soft (Std.) Hard

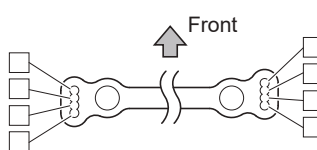
Rear Sus. Bush

Short Medium Long

● Servo Horn

Steering	Throttle
<input type="checkbox"/> Plastic	<input type="checkbox"/> Plastic
<input type="checkbox"/> AL. Long	<input type="checkbox"/> AL.
<input type="checkbox"/> AL. Short	

● Steering Plate



● Sway Bar

Front	Rear
φ	φ
mm	mm

● Weight

Front	Rear
<input type="checkbox"/> None	<input type="checkbox"/> None
<input type="checkbox"/> IFW604-10	<input type="checkbox"/> IFW605-10
<input type="checkbox"/> IFW604-20	<input type="checkbox"/> IFW605-20
<input type="checkbox"/> other	<input type="checkbox"/> other

● Wing

IF491(TK14) Flap None

5mm
 8mm
 Holes

memo: