

Name: _____
 Date: _____
 Track: _____

Diff. Oil

Rear: _____

Diff. Type

- Gear Diff
 Ball Diff

Track Conditions

- Size: Open Med. Tight
 Traction: High Med. Low
 Surface: Smooth Med. Bumpy

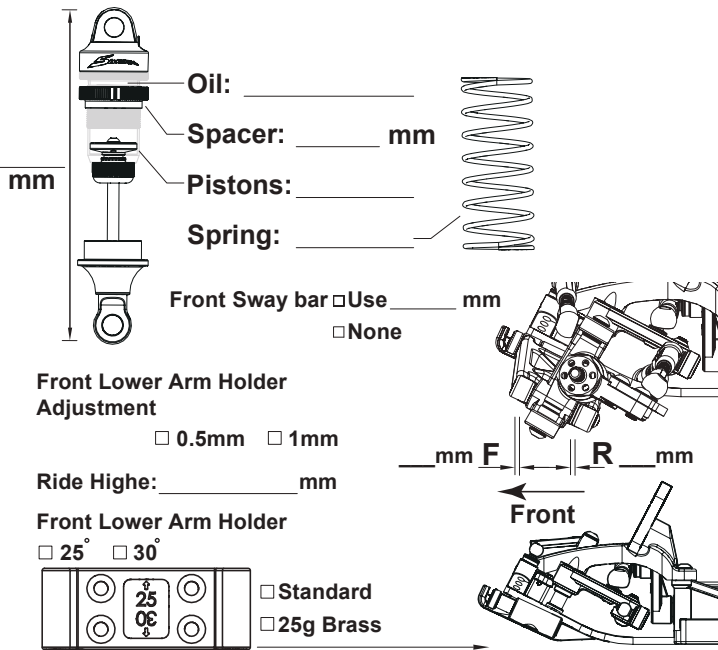
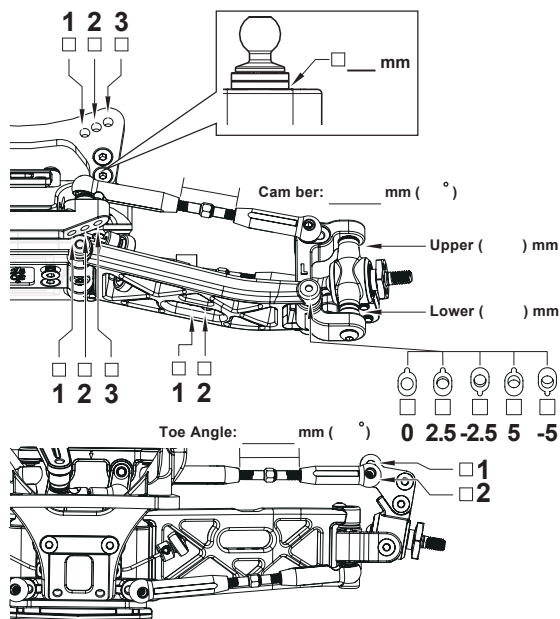
Tire

Front Rear
 Type: _____ Type: _____
 Foam: _____ Foam: _____

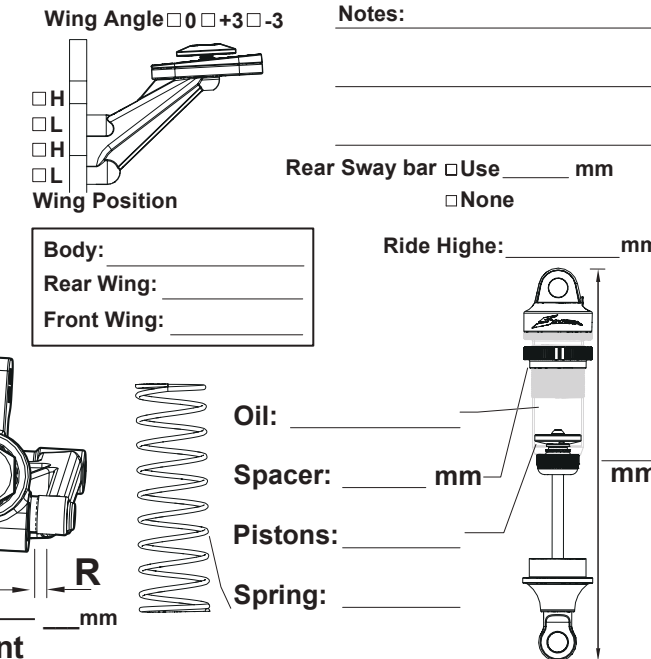
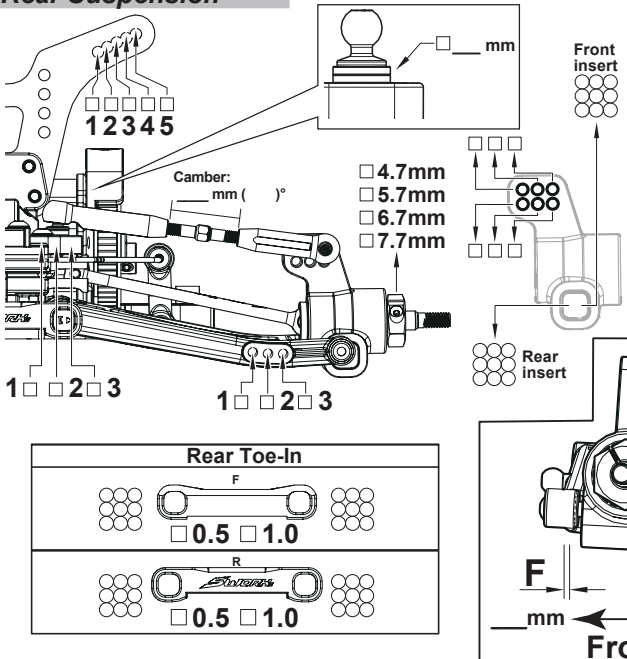
Electric System

ESC Type: _____
 Motor Type: _____
 Motor Gear/Spur Gear: _____
 Battery Type: _____

Front Suspension



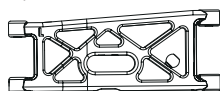
Rear Suspension



Option Parts List

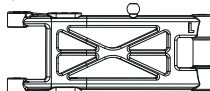
Front lower arm

- Carbon composite Hard Material Standard Material



Rear lower arm

- Carbon composite Hard Material Standard Material



Side guard

- Carbon composite Hard Material Standard Material

