

S35-3E

1/8 Off Road / Brushless / Power Pro Buggy

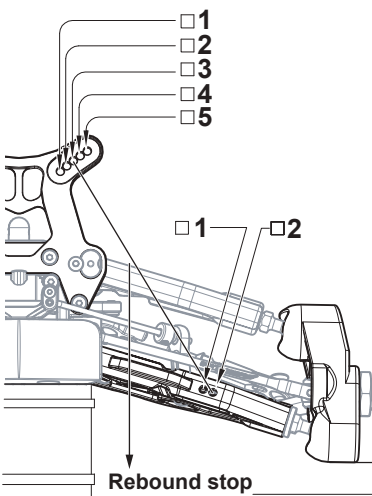
Name: _____
Date: _____
Track: _____

Diff. Oil
Front: # _____
Center: # _____
Rear: # _____

Tire

Front: _____ Rear: _____
Type: _____ Type: _____
Foam: _____ Foam: _____

Front Suspension



Front Toe-In

Al(6g) Brass(25g)

-1 0 +1

Al(11g) Brass(25g) Brass(35g)

-1 0 +1

Front Roll Center

Left = Right

Track width _____ mm
Camber angle Upper _____ mm
Lower _____ mm
Toe angle _____
Sway bar Use _____ mm
 None

Rebound stop _____ mm

F _____ mm
R _____ mm

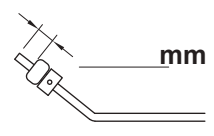
Carbon Arm Covers:
F/Upper _____ mm
F/Lower _____ mm

Front Shock System

Oil: _____
Pistons: _____
Spring: _____
Spacer: _____ mm

Camber Angle

L: _____ °
R: _____ °



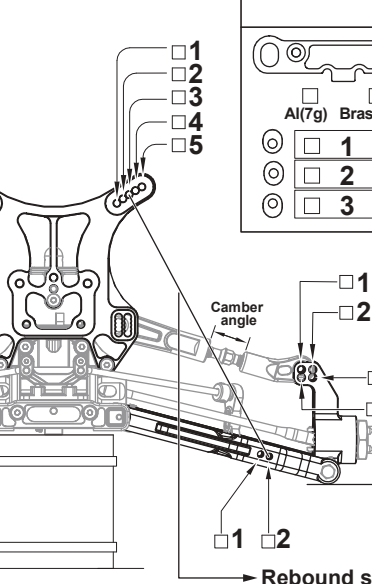
Steering Ackerman

1 2 3 4

Notes: _____

Body: _____
Wing: _____

Rear Suspension



Rear Toe-In

Al(7g) Brass(25g)

1 2 3

Type A

3.0 2.0 1.0

30+1K-Up 30-1K-Up 20+1K-Up 20-1K-Up

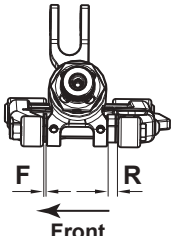
Type B

Upper arm position

4 1 5 2 6 3

Wing Position

1 8 2 3 4 5 6 7



Camber angle _____ mm

Rear Shocks

Oil: _____
Pistons: _____
Spring: _____
Spacer: _____ mm

Wheelbase adjustment F _____ mm
R _____ mm

Sway bar Use _____ mm
 None

Rebound stop _____ mm

Carbon Arm Covers:
R/Lower _____ mm

Notes: _____
