

Race time / Lap: _____

Best lap: _____

Name: _____
 Date: _____
 Track: _____

Diff. Oil
 Front: _____
 Center: _____
 Rear: _____

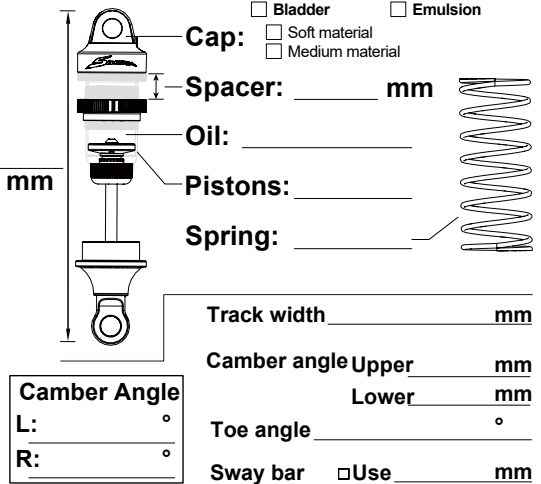
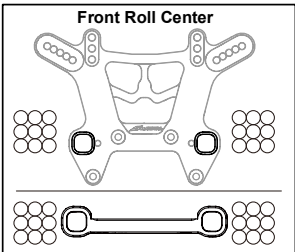
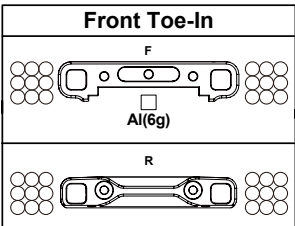
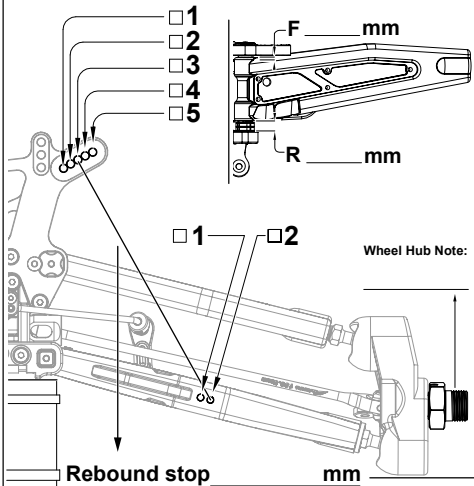
Track Conditions
 Size: Open Med. Tight
 Traction: High Med. Low
 Surface: Smooth Med. Bumpy

Tire
 Front Type: _____
 Front Foam: _____
 Rear Type: _____
 Rear Foam: _____

Engine
 Type: _____ Muffler: _____
 Gasket: _____ mm Fuel: _____
 Plug: _____

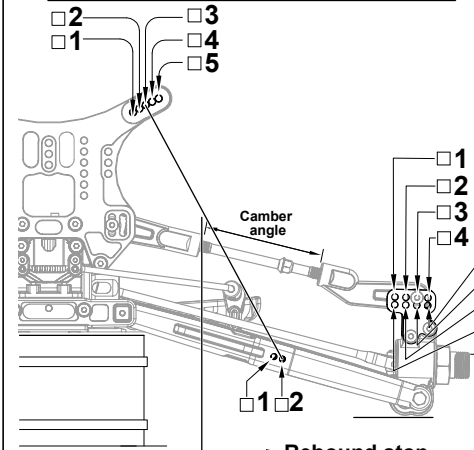
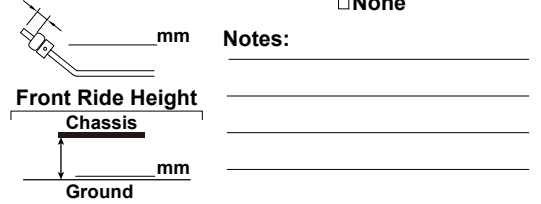
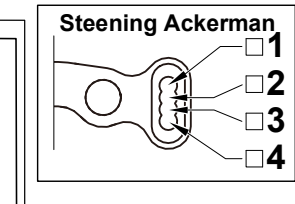
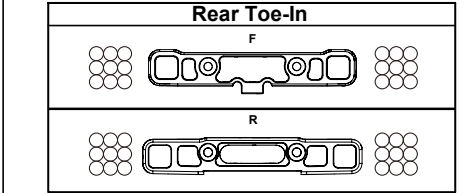
Clutch
 Clutch shoes: _____
 Spring: _____ mm
 Clutch bell / Spur gear: _____

Front Suspension

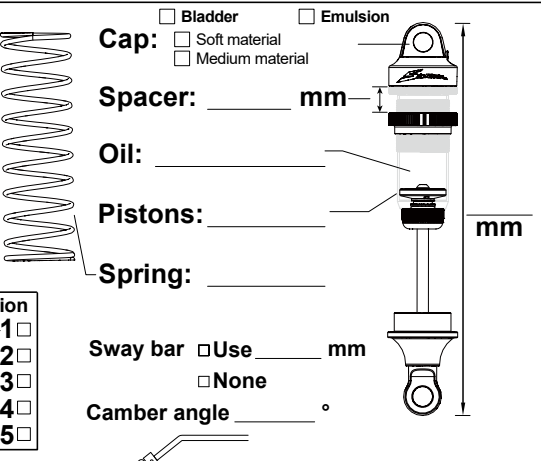
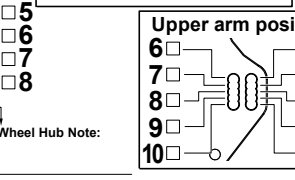
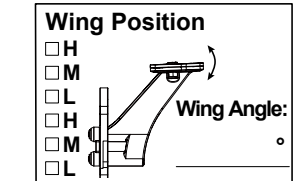


Camber Angle
 L: _____ °
 R: _____ °

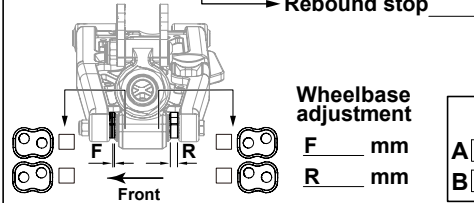
Rear Suspension



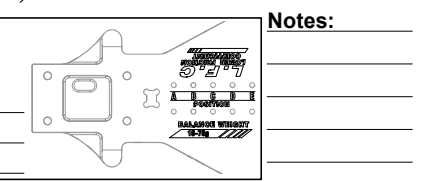
Body: _____
 Wing: _____



Rear Ride Height
 Chassis _____ mm
 Ground _____ mm



A Brass(15g) x _____
 B Brass(15g) x _____
 C Brass(15g) x _____
 D Brass(15g) x _____
 E Brass(15g) x _____



Option Parts List

