

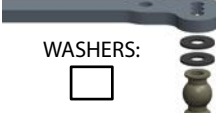
Name: _____ Date: _____ Event: _____

Track: INDOOR OUTDOOR Size: SMALL MEDIUM LARGE Traction: LOW MEDIUM HIGH


Surface: SMOOTH BUMPY RUTTED Type: LOOSE / LOAMY HARD PACKED BLUE GROOVE CLAY ASTRO

Bumpsteer/Ackerman/Servo Saver/Steering Stop: _____ Condition: DUSTY DRY WET MUDDY

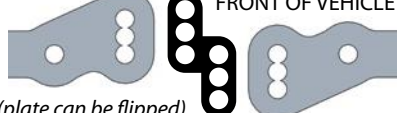
WASHERS:



WASHERS:



FRONT OF VEHICLE




(plate can be flipped)

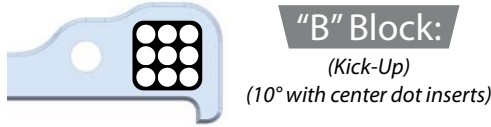
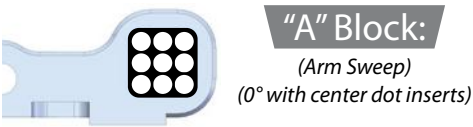
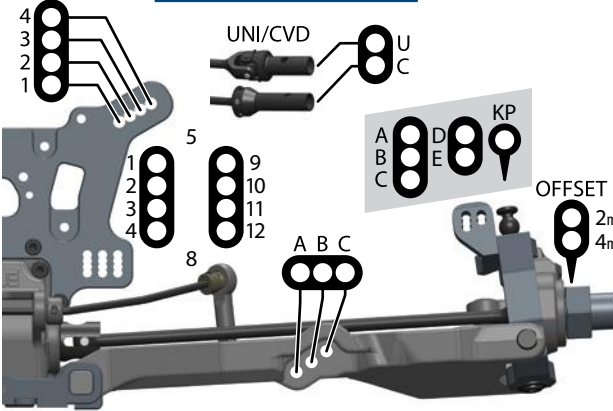
FULL TURNS FROM FULLY TIGHT

WASHERS:

SCREW:



Front End:



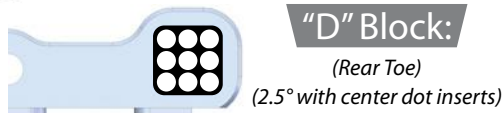
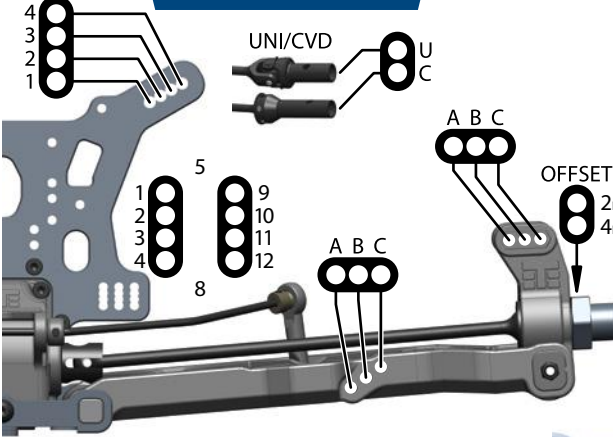
Suspension:

RIDE HEIGHT:	CAMBER:
CASTER BLOCK:	SWEEP:
KICK UP:	TOE:
SWAY BAR:	DROOP:
Shocks:	
OIL:	BRAND:
PISTON:	SPRING:
REBOUND:	BUILD:

Differential Oil:

FRONT	CENTER	REAR
/	/	/
Drivetrain:		
CLUTCH / SPUR:	/	(teeth)
CLUTCH SHOES:		
CLUTCH SPRINGS:		
BRAKE BIAS %:	(front)	(rear)
Equipment:		
ENGINE / PIPE:	/	
FUEL / PLUG:	/	
RX BATTERY:		
	STEERING	THROTTLE / BRAKE
SERVOs:	/	

Rear End:



Suspension:

RIDE HEIGHT:	CAMBER:
ANTI-SQUAT:	TOE:
SWAY BAR:	DROOP:
Shocks:	
OIL:	BRAND:
PISTON:	SPRING:
REBOUND:	BUILD:

Chassis Braces:

REAR-SHORT: REAR-LONG:

Tires / Wheels:

BRAND / TREAD: _____

COMPOUND: _____

INSERT: _____

WHEEL: _____

NOTES: _____

Body / Wing:

BODY MAKE: _____

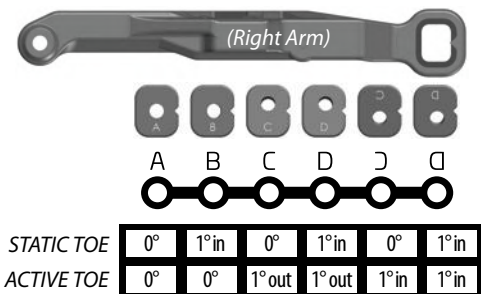
WING MAKE: _____

WING MOUNT POSITION:

STANDARD: + 7mm: + 12mm:

Notes:

Arm Inserts:



Rear Hub / Wheelbase:

